



330 Handset Remote Programming



DIY Automatic Gate Kits
Solar & Low Voltage Specialists
PH 1800 111 930
info@gforceautogates.com.au
www.gforceautogates.com.au



330 Handset Remote



Receiver

INSTRUCTIONS TO CODE THE NEW REMOTE HANDSET-

Unscrew the back of the NEW remote handset and locate the white DIP switches.

Open the back of an existing working remote handset and locate the white DIP switches. Set the DIP switches of the NEW remote handset to the SAME CODE PATTERN already set on the DIP Switches in your existing remote handset

Alternatively

Remove the gate motor cover and locate the receiver board. The receiver board may be in a black plastic box which you will need to open to view the receiver board inside. Set the DIP switches of the NEW remote handset to the SAME CODE PATTERN already set on the DIP Switches on the receiver board

Replace all covers. Test remote handset operation.

Cover
Screw



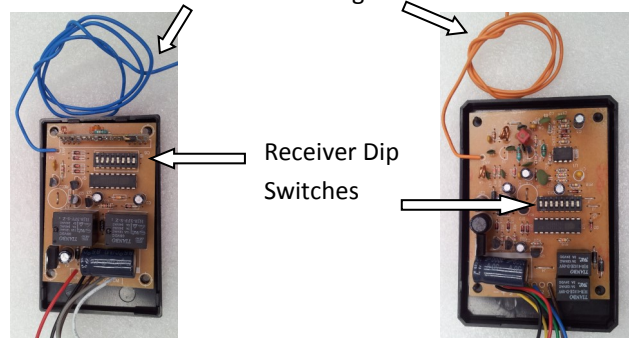
Remote handset
Dip Switches



Receiver in
black plastic box



Aerial wire —Straighten
when installing



Receiver Dip
Switches